

# NORTHTECH

---

*Machine, LLC*

**NT-DC7SS  
SOFT SOUND DUST COLLECTOR**



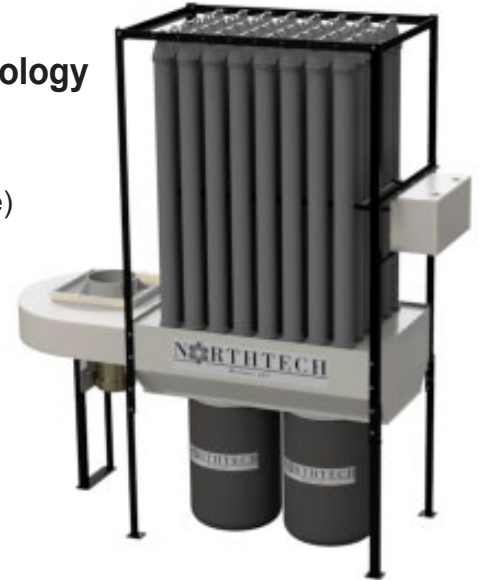
# NORTHTECH

*Machine, LLC*

## NT-DC7SS

### Dust Collector with Enclosureless Baghouse and Soft Sound Technology

- Direct Drive Blower, 7.5HP 3PH, 208-230/460V 60HZ
- Fan performance: 1800RPM 5,000 CFM @ 3" wc ESP (External Static Pressure)  
4,500 CFM @ 4.5" wc ESP  
3,500 CFM @ 8" wc ESP
- 12" Ø Inlet @ 3,500 CFM standard
- 26" Ø Steel fabricated fan wheel is dynamically balanced
- Mechanical shaker included
- (48) 5" x 69" Cotton sateen filter tubes
- 340SF of filter media
- (2) 22-1/2" x 40" plastic waste bags disposal
- Air Velocity: 3648fpm
- Northtech is proud to manufacture this product in America
- 95% Return-air efficiency of 2.5 micron particles
- (Optional) Motorized mechanical filter shaker is 1/4HP TEFC motor
- Filter bags equipped with a quick clamp fit-up on inlet side
- Warranty is one year parts
- All machines are tested stateside prior to shipment providing trouble free start up.

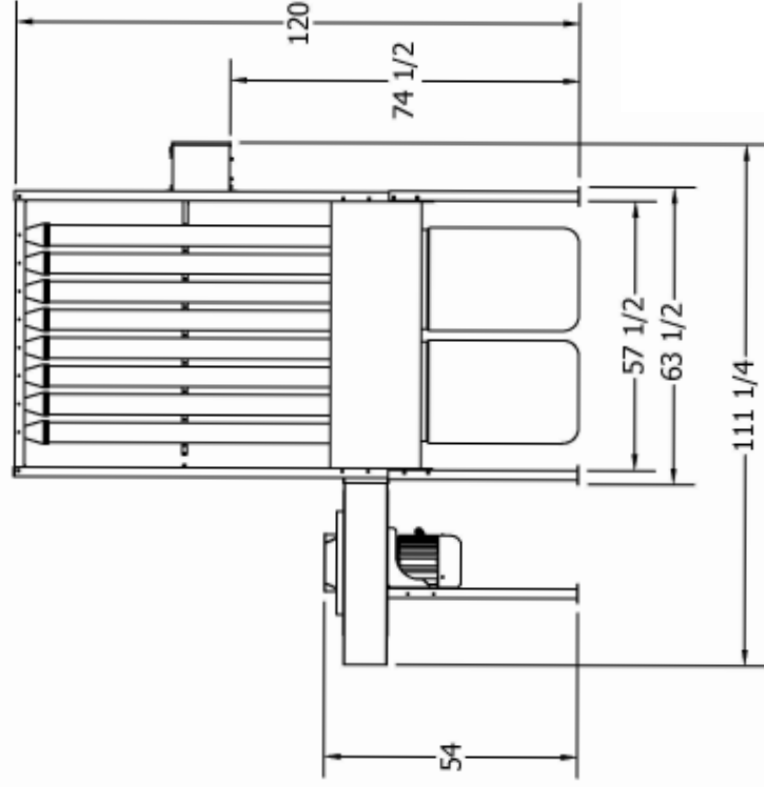
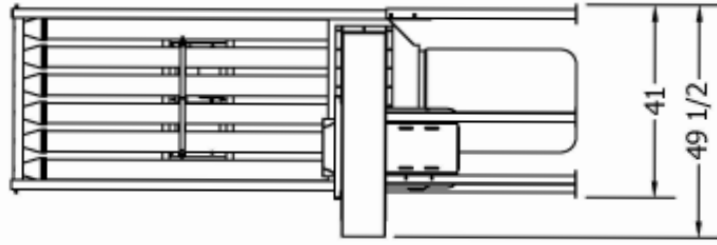


## Price FOB

- |  |        |            |
|--|--------|------------|
| • Voltage Change   | ... \$ | (add)      |
| • Starter controls   | ... \$ | (Included) |
| • Automatic mechanical shaker system                                   | ... \$ | (Included) |
| • Aluminum spark resistant fan   | ... \$ | (add)      |
| • 5HP Model  | ... \$ | (deduct)   |
| • 10HP Model   | ... \$ | (add)      |
| • 15HP Model   | ... \$ | (add)      |
| • NT-TDH57 415 Gallon dual top port waste bin for DC5SS or DC7SS       | ... \$ | (add)      |
| • NT-TDH1015 550 Gallon triple top port waste bin for DC10SS or DC15SS | ... \$ | (add)      |

\* Any shipping date quoted by Northtech is an estimation based on factory delivery. Northtech cannot guarantee delivery, nor do we assume any liability for delays or non-shipment arising from any cause. Pictures are for reference only, design and specifications of all Northtech Products sold are subject to change without notice.\*

# NT-DC7SS



120

74 1/2

57 1/2

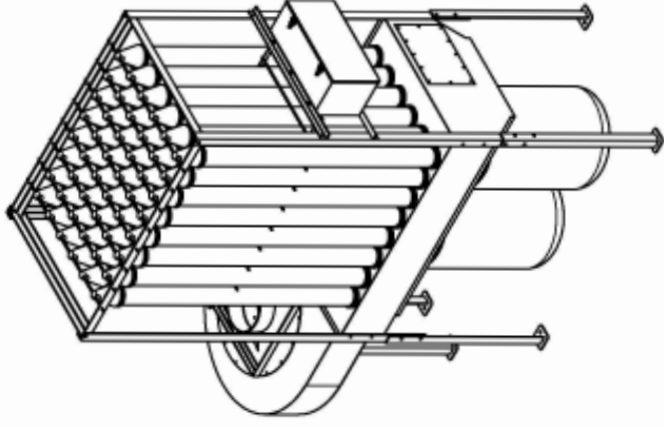
63 1/2

111 1/4

54

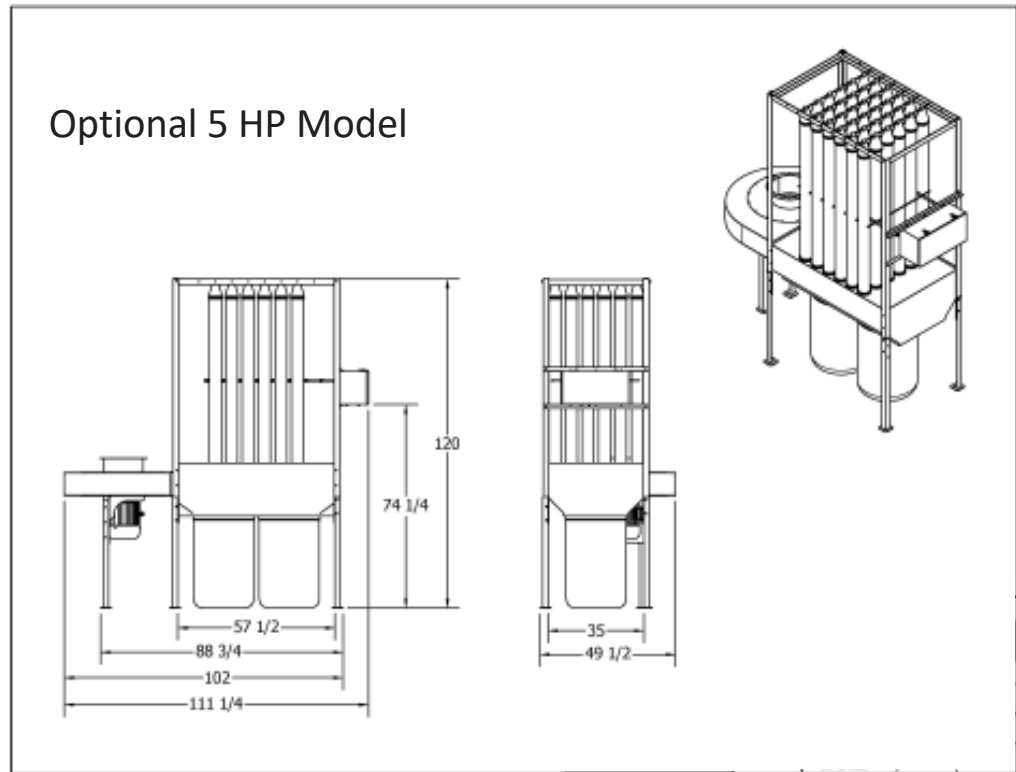
41

49 1/2

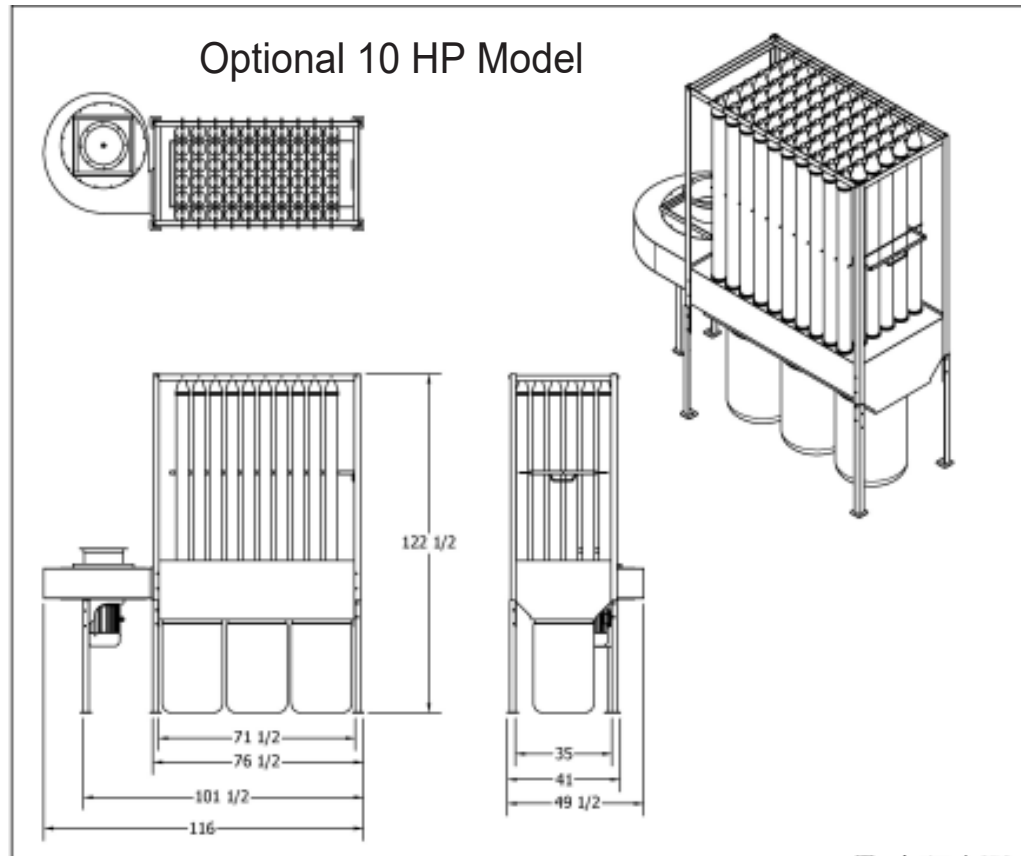


# Machine Options

- Optional 5HP Unit



- Optional 10HP Unit



# Machine Options

- Optional 15HP Unit

