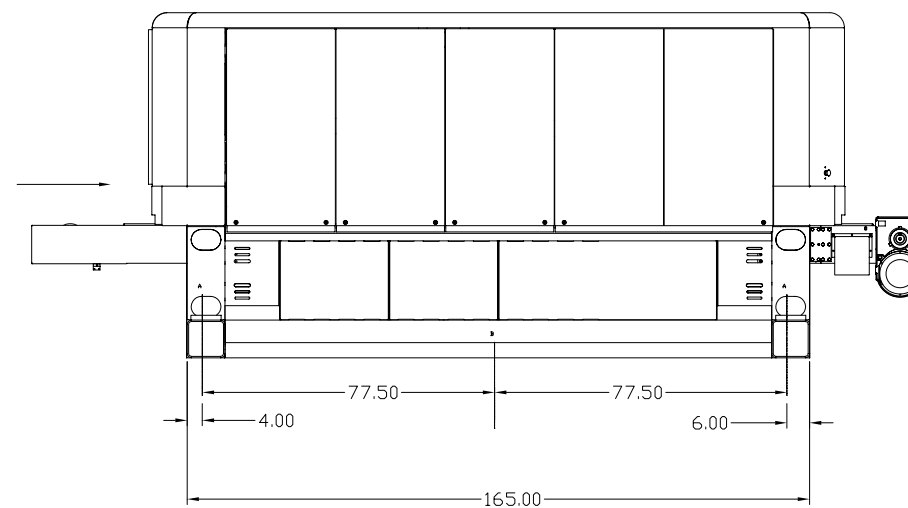
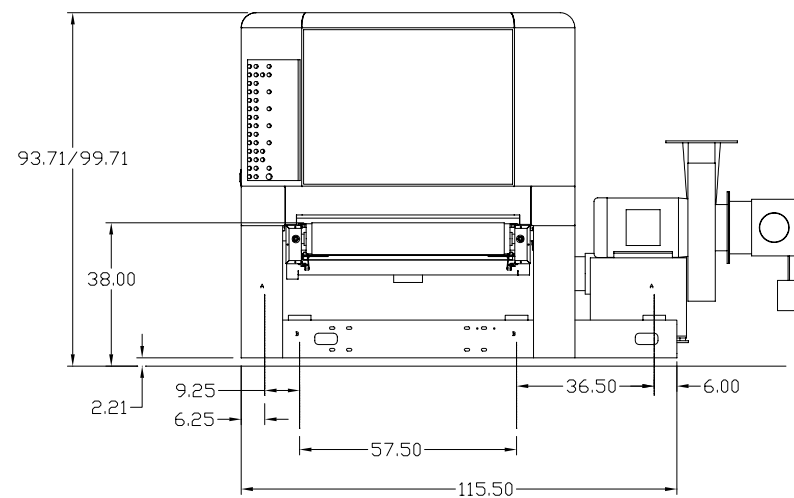
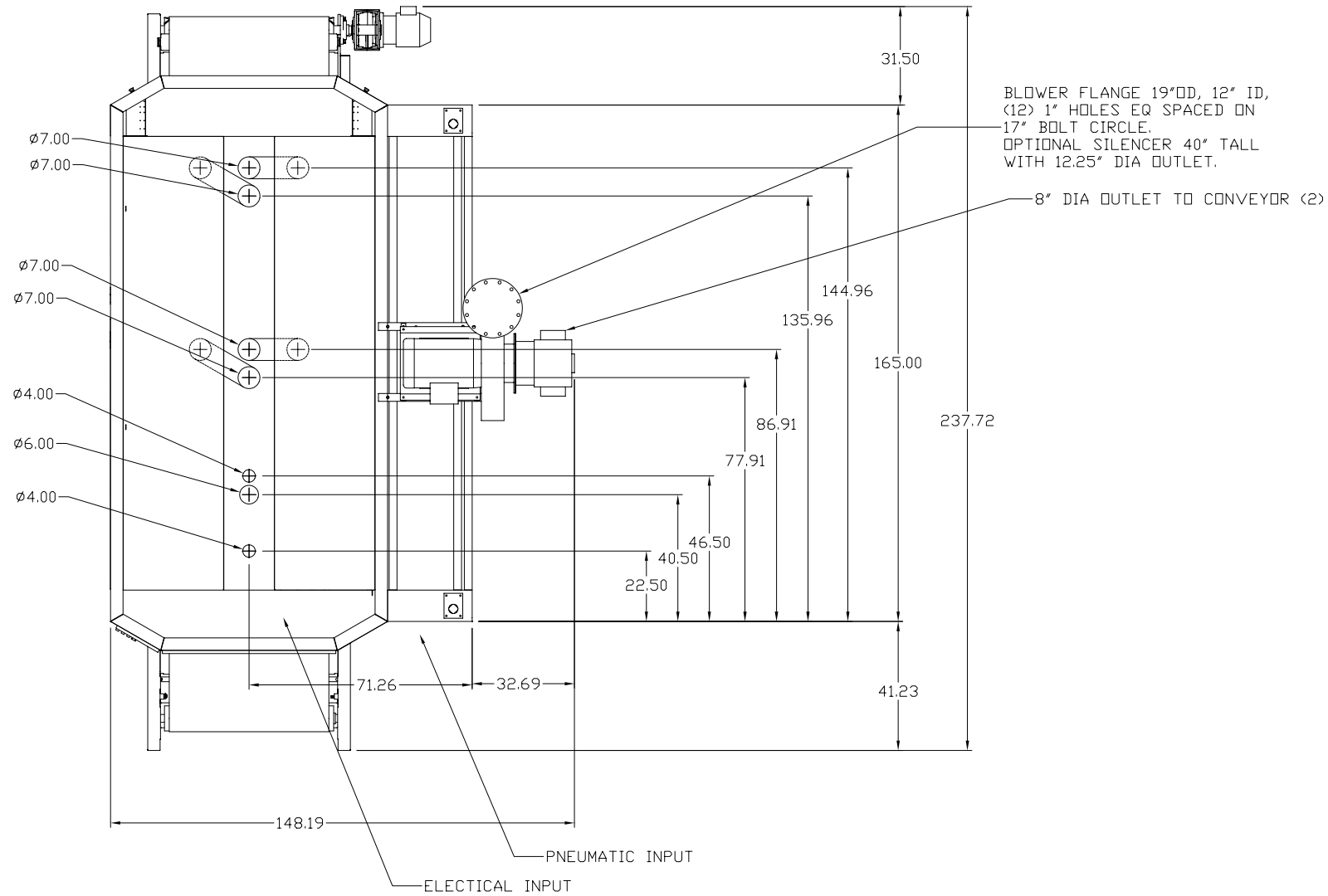


FULL LOAD AMPS @ 230V = 226  
 FULL LOAD AMPS @ 460V = 113  
 DUST COLLECTION = (4) @ 7' (1350cfm/ea)  
                           (1) @ 6' (1000cfm)  
                           (2) @ 4' (400cfm/ea)  
                           = 7200cfm TOTAL  
 BLOWER EXHAUST = 4000 cfm  
 AIR REQUIREMENTS = 6 cfm @ 90PSI



TOLERANCES +/- UNLESS OTHERWISE SPECIFIED		MACHINING	WELDING	FABRICATING	SURFACE FINISHES REQUIRED AS SPECIFIED	USED ON REFERENCE MACHINE/DRAWING
DECIMAL	.03, .005		.13	.06		--
ANGLE	5 deg					

THE INFORMATION CONTAINED IN THIS DRAWING IS THE SOLE PROPERTY OF TIMESAVERS, INC. ANY REPRODUCTION IN PART OR WHOLE WITHOUT THE WRITTEN PERMISSION OF TIMESAVERS, INC IS PROHIBITED.

SCALE: 24	SIZE: D	DATE:	NAME:	MATERIAL:
UNITS: INCH	DRAWN:	CHECKED:	MAP:	
SOLIDS (Y/N): N				

TITLE: DIMENSIONAL - DRB,DRB,QWOOD  
 DRAWING NUMBER: 30703  
 REV. SHEET 1 OF 1