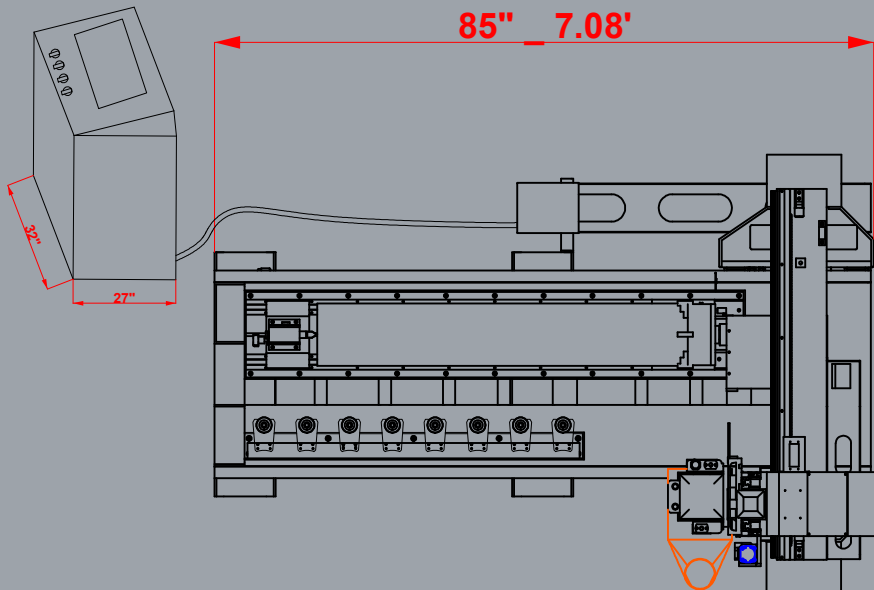
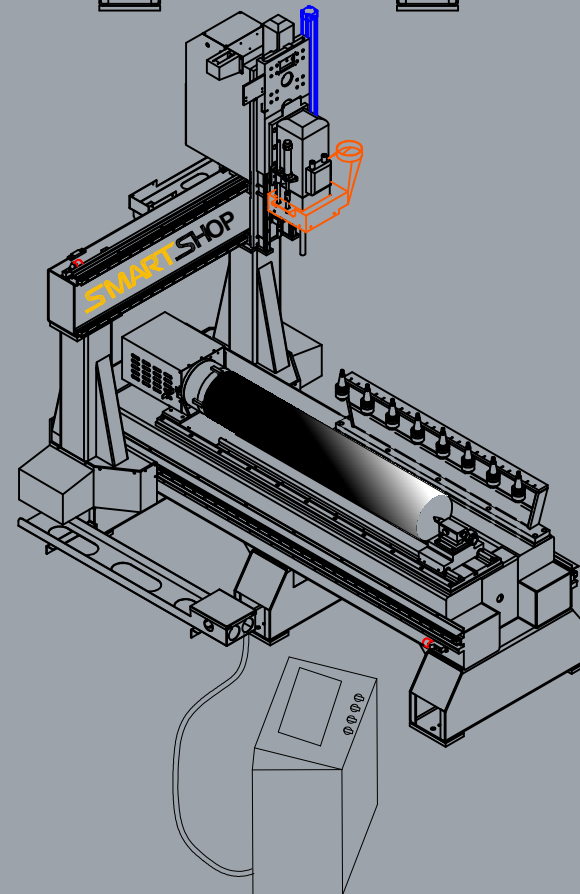
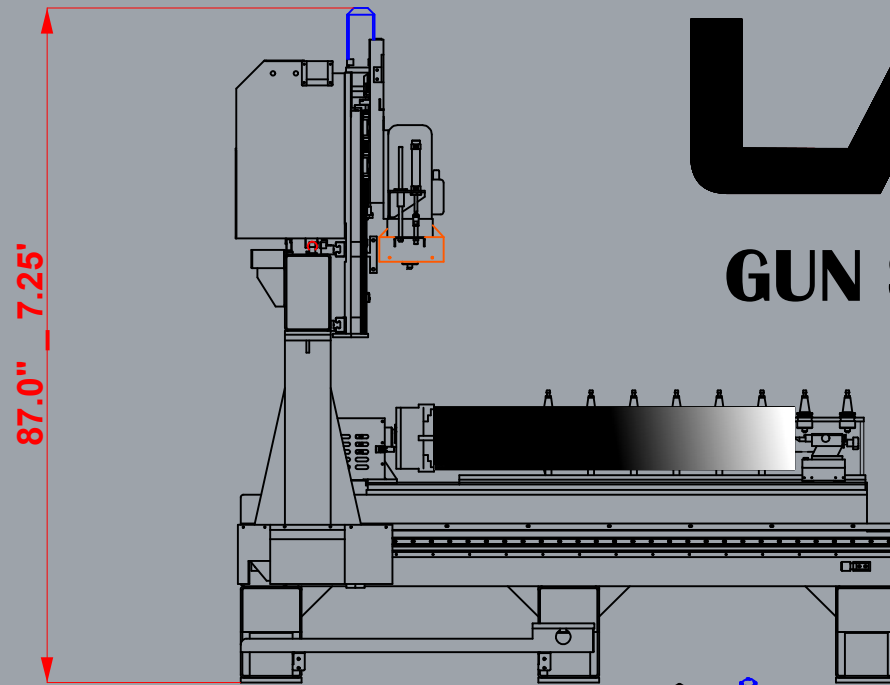
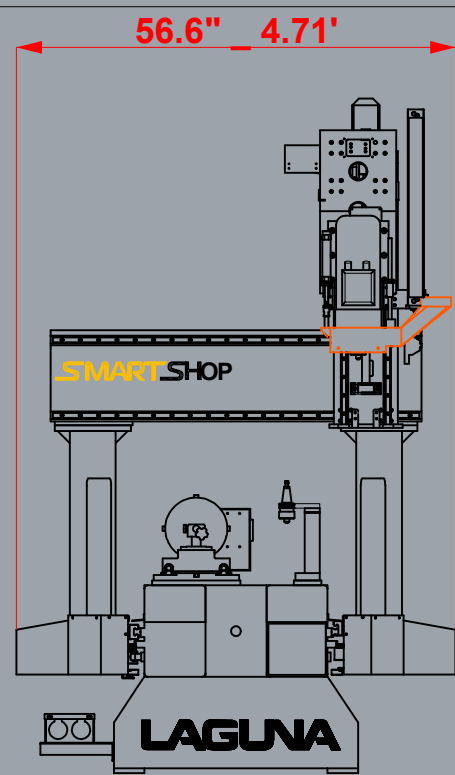


LAGUNA

GUN STOCK PRODUCTION



SMARTSHOP FANUC TURNER		DRAWN,S.B._11/5/2025_REV,2
SPECIFICATION:		
POWER REQUIREMENTS.	Machine Motion Only, 220v,30A,3ph	
FOOTPRINT.	56.6" W X 85" L	
WORKING AREA.		
GANTRY CLEARANCE.	12"	
SPINDLE.	6HP HSD ATC ES950 SPINDLE	
SPINDLE RPM.	6,000-24,000	
RAPID TRAVEL.	2500 IPM	
MAXIMUM CUTTING SPEED.	1200 IPM	
DUST PORT DIAMETER.	4" PORT ON DUST HOOD	
PRECISION HELICAL RACK & PINION.	25MM HEAVY DUTY LINEAR BEARING,ALL AXES	
DRIVE SYSTEM FOR X AND Y AXES	Fanuc OiF-Type 5	
CONTROLLER.	Fanuc OiF-Type 5	
FANUC SERVO MOTORS	Fanuc 750W SERVO SYSTEM	
SOLID STATE HOME SWITCH'S.	NPN PROXIMITY SWITCHES	
HEAVY DUTY WELDMENT TUBULAR STEEL FRAME.	2000 POUNDS	
CENTRALIZED LUBRICATION SYSTEM FOR ALL AXES.	30W SAE OIL IS PIPED TO ALL BEARINGS.	
VACUUM TABLE	Yes, TEE Slots on sides	
VACUUM OPTIONS:		
MACHINE POWER BASED ON VACUUM CHOICE		
1 pcs,10hp stock regen vacuum_3 phase	220v,3 Phase,50 amps	
1 pcs,10hp Becker SV400 vacuum_3 phase	220v,3 Phase,60 amps	
1 pcs,8.6hp Becker Vane vacuum_3 Phase	220v,3 Phase,60 amps	3 Phase Only
1 pcs,12hp Becker Vane vacuum_3 Phase	Remote starter needed, 220v,3ph,45 amps. Optional, 480v,3ph,30 amps. CNC Motion 220v,3 phase,30 amps	

LAGUNA
GUN STOCK PRODUCTION CNC

DRN,S.B. _ 11/5/2025 _ NTS